

# Blade Terminal & Special Purpose Fuses

## Surge Fuses

### LVSP Series Surge Fuse



The Littelfuse Varistor Surge Protection (LVSP) Fuses are intended for the protection of TVSS products. The LVSP Series has been designed to survive the 8x20μs lightning surges described in various Standards (UL1449, IEC61000-4-5 & IEEE C62.41) without opening. This allows the TVSS to perform the necessary suppression. The LVSP Series is not rated for continuous current and the ratings are to specific 8x20μs surge capability. The LVSP Series can be used to facilitate TVSS module compliance to UL1449 in permanently connected applications (abnormal overvoltage, unlimited current conditions)

#### Features:

- Rated at 600 VAC - 200kA I.R.
- Available in Surge Ratings from 5-100kA (8x20μs)
- Very current limiting under AC short-circuit conditions
- Available in Cartridge, Bolt-in and PC board mount versions
- Provides short circuit protection in TVSS Systems and complements the Littelfuse Line of overvoltage products (HA, HB34, TMOV™ and iTMOV™ varistors as well as the AK-10 series TVS diodes)

**AGENCY APPROVALS:** Recognized under the components program of Underwriters Laboratories for Special Purpose Fuses.

**AGENCY FILE NUMBERS:** UL E71611

**RATINGS:** 5-100kA 8x20μs Surge withstand 600VAC 200kA I.R.

#### APPLICATIONS:

- TVSS Products
- Surge Arrestors

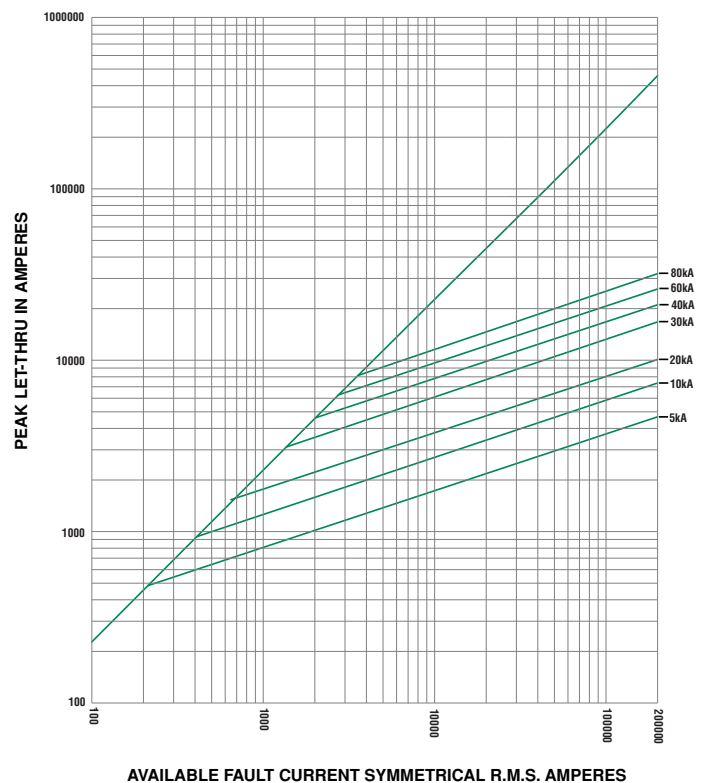
#### RECOMMENDED FUSE BLOCKS FOR LVSP FUSES:

- **LVSP (5-20)-2**
  - L60030M Series (Block)
  - LPSM Series ("Dead Front" Holder)
- **LVSP (30-100)-2**
  - LJ60030 Series (Block)
  - LPSJ30 ("Dead Front" Holder)

#### ORDERING INFORMATION:

Catalog Number	8x20μs Surge Rating	Nominal Melting I <sup>2</sup> t A <sup>2</sup> Sec	Nominal Clearing I <sup>2</sup> t A <sup>2</sup> Sec	I <sub>peak</sub> @ 100kA, 60Hz (A)
LVSP 5	5,000	359	981	3,700
LVSP 10	10,000	1,300	3,210	5,823
LVSP 15	15,000	3,267	8,235	7,765
LVSP 20	20,000	4,940	11,710	8,135
LVSP 30	30,000	11,950	35,325	12,478
LVSP 40	40,000	20,550	61,700	15,250
LVSP 40P	40,000	9,975	55,854	17,300
LVSP 60	60,000	39,240	145,566	19,604
LVSP 80	80,000	75,000	254,000	24,600
LVSP 100	100,000	Contact Factory		

\*Contact the factory for additional rating or configuration availability



# Blade Terminal & Special Purpose Fuses

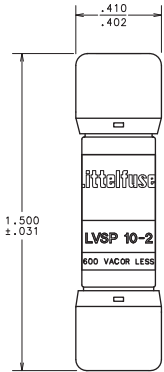
## Surge Fuses

### LVSP Series Surge Fuse

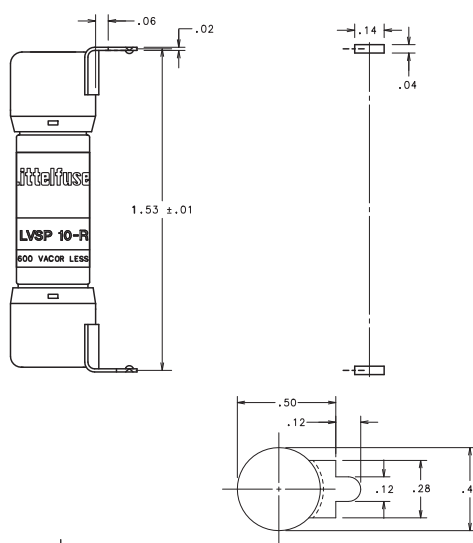


Reference Dimensions:

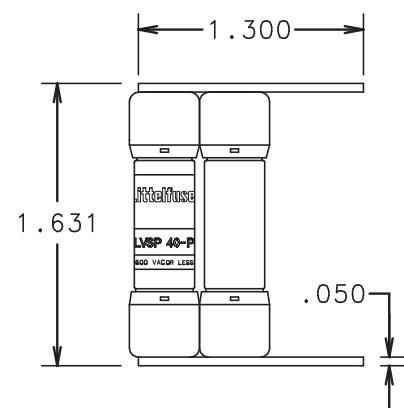
**LVSP (5-20)-2**



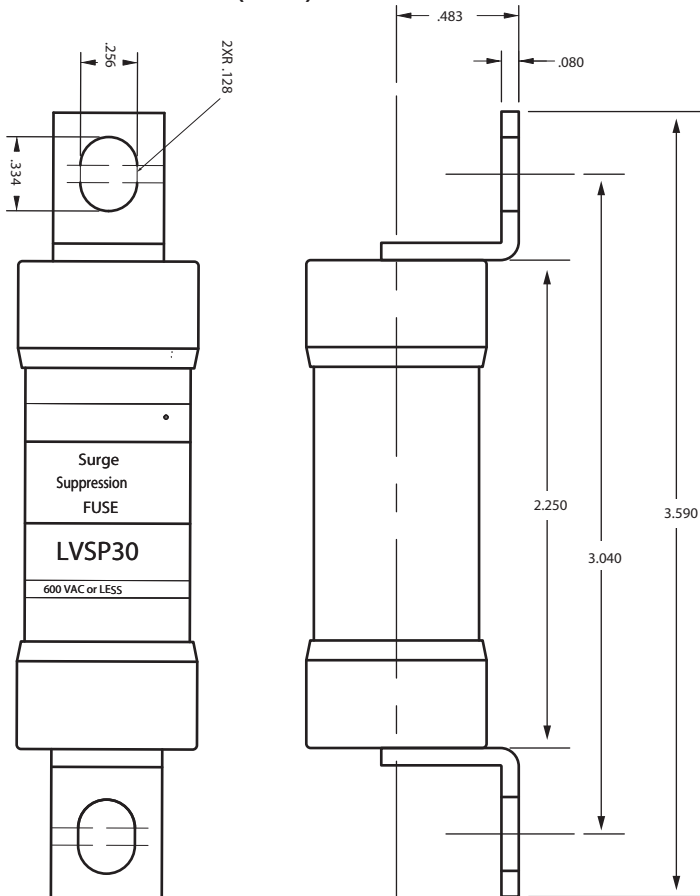
**LVSP (5-20)-R**



**LVSP40P**



**LVSP (30-80)**



**LVSP (30-80)-2**

